



Britax PMG Limited

Britax PMG Limited, Bessingby Industrial Estate,
Bridlington, Yorkshire, England YO16 4SJ
t. +44 (0) 1262 670161 f. +44 (0) 1262 605666 e. enquiries@britax-pmg.com

Mirrors

Product Catalogue

The products detailed in this catalogue represent our current range, and whilst every effort has been made to ensure accuracy of the information supplied, customers are requested to satisfy themselves of the suitability of any products required.

Full terms & conditions available at www.britax-pmg.com

CATM14



Britax is a registered trademark of and used under licence from a member of the Britax group of companies.



Mirrors

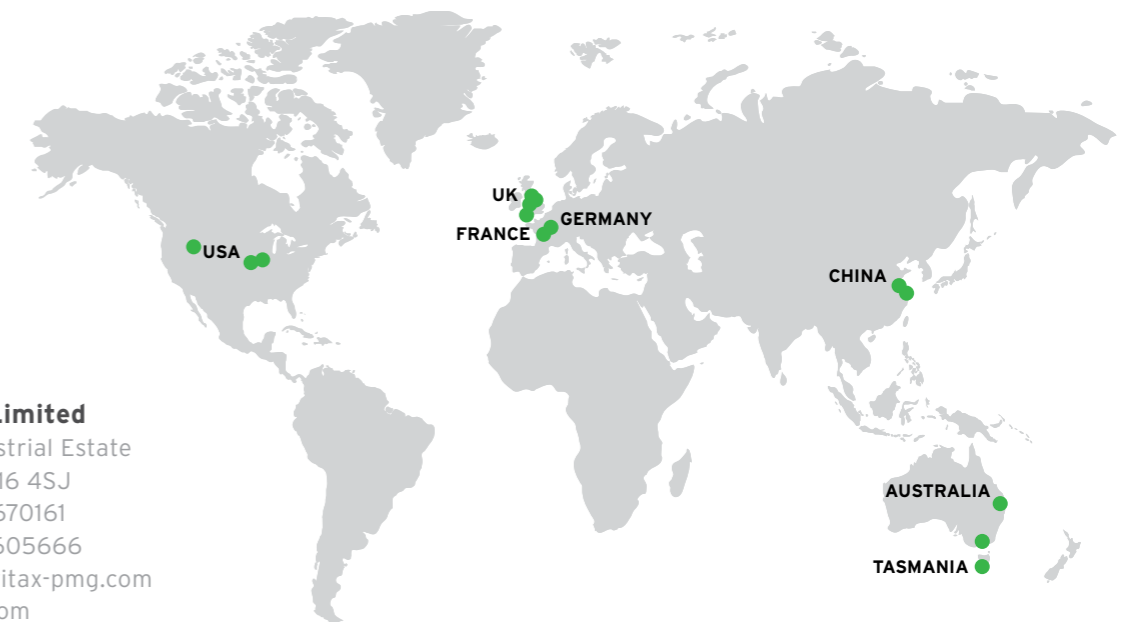
Product Catalogue



Britax PMG Limited is a world-class supplier of mandatory and auxiliary vehicle lighting, amber hazard warning lighting and rear view mirrors to both vehicle Original Equipment Manufacturers (OEMs) and the commercial vehicle after market. Our equipment can be found on all types of vehicle, including cars, vans, trucks, trailers, tractors, buses, coaches, recovery trucks and construction machinery.

Our quality range of beacons, lightbars, lamps, reflectors, switches, and mirrors are sold all around the world through a comprehensive network of distributors. As part of the ECCO Safety Group, the company has access to manufacturing facilities in nine locations on four continents, along with an additional four international sales offices in Europe, Australia and China, together employing 900 team-members.

	PAGE
TECHNICAL INFORMATION	04
FEATURE PRODUCTS	08
INTERIOR MIRRORS	10
UNIVERSAL FIT MIRRORS	11
MIRROR HEADS	14
PANORAMIC MIRRORS	17
ARMS	19
INDEX	23



Britax PMG Limited
Bessingby Industrial Estate
Bridlington, YO16 4SJ
t. +44 (0)1262 670161
f. +44 (0)1262 605666
e. enquiries@britax-pmg.com
w. britax-pmg.com

BRITAX is the registered trademark of, and is used under licence from, a member of the BRITAX group of companies.



MIRROR INFORMATION

MIRRORS

The Britax range of universal and dedicated fit heads are designed and manufactured to the highest standards and are suitable for all type of on and off highway vehicles.

With a tried and tested "breakout" mechanism, Britax mirror arms offered in this range have been fully tested to ensure compliance with the latest legislation. Also and where necessary Britax mirror heads conform to the latest relevant ECE Regulation and EEC, TUV and SAE approvals.

APPROVAL DETAILS



To suit 'e' approved mirror installations.



To suit 'E' approved mirror installations.

PRODUCT IMPROVEMENT

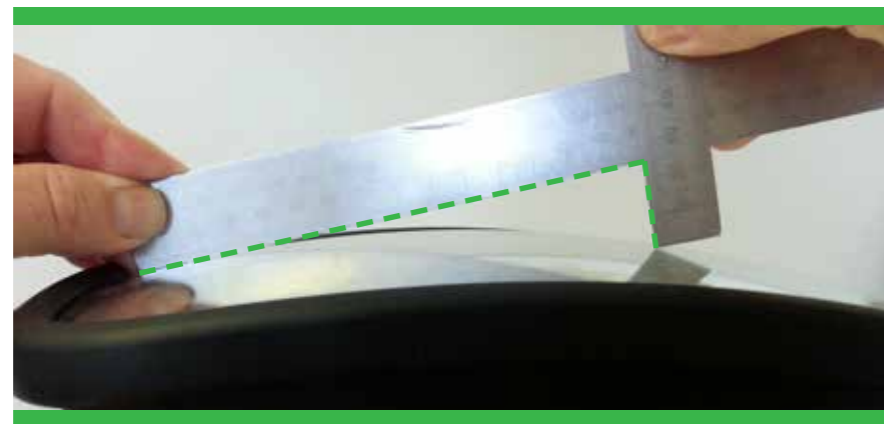
ECCO Group's policy of continuous product improvement will result in some of the mirror parts in this catalogue being superseded. Customers are invited to consider the latest product detailed in the table below

PART NUMBER	NEW ALTERNATIVE (SEE PAGE 9)
7112.020.A	7137.000
7112.030.A	7137.001
7106.020.A	7137.201
7106.001.A	7137.208
7106.002.A	7137.209
7132.001.A	7137.100
7133.001.A	7137.100

CONVEX MIRRORS

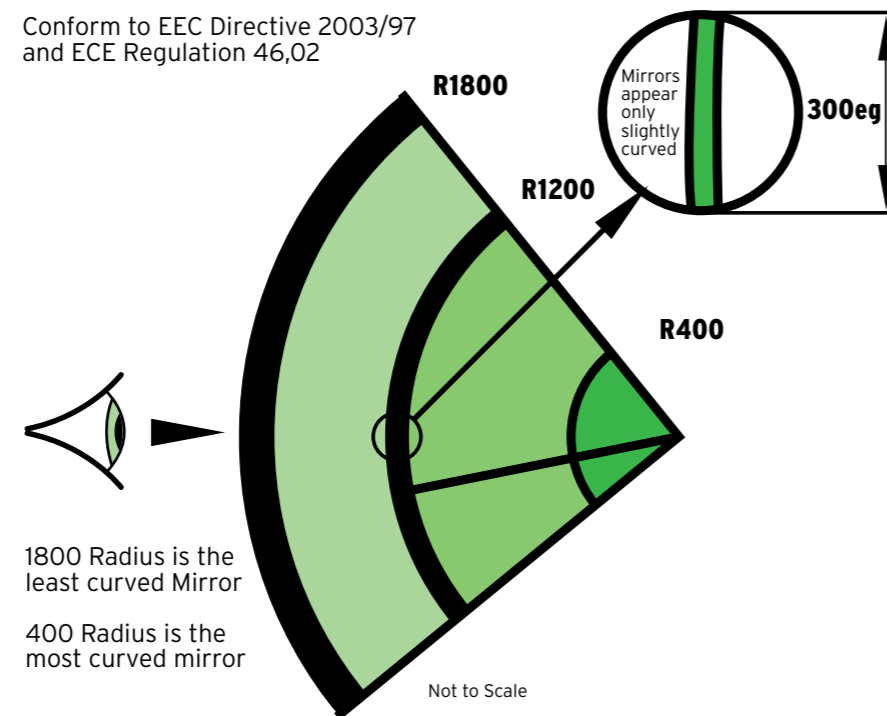
Carefully place a steel rule on the surface of the lens close to the LH edge of the mirror head. At 150mm and using a second firm edge measure the gap between the first measure and the convex surface of the lens then select from the following:

- R450 glass approximately 25mm**
- R1200 glass approximately 8mm**
- R1800 glass approximately 5mm**



R=Radius (Spherical)
eg R400=400mm Radius (Spherical)

Conform to EEC Directive 2003/97 and ECE Regulation 46,02



APPROVAL NUMBER ON REAR OF MIRROR CASE

OLD MARKING	CURRENT MARKING	MIRROR HEAD	VOLTAGE	HEATED	DESCRIPTION	REPLACEMENT GLASS	GLASS RADIUS		
	II E11 01 * 1106 II E11 011106	7105.000	-	-	TO FIT Ø22 ARMS	Z4002.444.05	1800		
		Z4002.820	-	-	TO FIT Ø16 ARMS	Z4002.444.05	1800		
		Z4003.187	24V	HEATED	24V HEATED TO FIT Ø16 ARMS	Z4003.401.05	1800		
II E11 02*1153	II E11 026330 II E11 03*6330	7106.000	-	-	UN-HEATED TO FIT Ø22 ARMS SUPPLIED WITH SLEEVES TO FIT 19 AND 16 ARMS	Z4002.475.05	1800		
		7106.001	12V	HEATED	HEATED 12V Ø16/19 AND 22 CLAMPS	Z4003.431.05	1800		
		7106.002	24V	HEATED	HEATED 24V 48W Ø16/19 AND 22 CLAMPS	Z4002.687.05	1800		
		7106.003	-	-	UN-HEATED FLAT GLASS	7400.001.05	FLAT		
		7106.006	-	-	MIRROR ASSY UNHEATED 32DIA CLAMP	Z4002.475.05	1800		
		7106.007	24V	HEATED	MIRROR ASSY 24V HEATED 32DIA CLAMP	Z4002.687.05	1800		
		7106.009	-	-	UN-HEATED R1800 TO FIT 25.4MM TUBE	Z4002.475.05	1800		
		7106.010	24V	HEATED	HEATED 24V 48W TO FIT 25.4MM TUBE	Z4002.687.05	1800		
		III E11 02*5441 III E11015441	E11 III 03 * 6326 E11 III 026326 E11 II III 046326	7107.001	-	-	UN-HEATED R1800	7418.005.05	1800
				7107.002	-	-	UN-HEATED R1200	7412.001.05	1200
7107.500	12V			HEATED	12V R1800	7418.509.05	1800		
7107.501	24V			HEATED	24V R1800	7418.510.05	1800		
7107.502	12V			HEATED	12V R1200	7412.504.05	1200		
7107.503	24V			HEATED	24V R1200	7412.505.05	1200		
I E11 02 * 5716 I E11 015716	I E11 026329 I E11 03*6329	7108.000	-	-	INTERIOR MIRROR 41.4 HOLE CTRS	7412.002.10	1200		
		7108.001	-	-	INTERIOR MIRROR SLOTTED 40/50MM HOLE CTRS	7412.002.10	1200		
IV V E11 011152 IV V E11 02*1152 II III E11 011152 II III E11 02*1152	IV V E11 026328 IV V E11 03*6328 II III E11 026328 II III E11 03*6328	7112.020	-	-	450 RAD UN-HEATED	Z4003.420.05	450		
		7112.030	12V	HEATED	12V HEATED 450 RAD	Z4003.428.05	450		
		7112.040	24V	HEATED	24V 20W HEATED 450 RAD	Z4003.424.05	450		
		7112.021	-	-	1200 RAD HEAD	Z4003.421.10	1200		
		7112.023	-	-	FLAT GLASS UNHEATED	Z4003.423.10	FLAT		
		7112.031	12V	HEATED	12V R1200 HEATED HEAD	7412.000.05	1200		
		7112.041	24V	HEATED	24V R1200 HEATED HEAD	Z4003.425.05	1200		
		7112.022	-	-	UN-HEATED R1800	Z4003.422.10	1800		
		7112.032	12V	HEATED	12V HEATED R1800	7418.507.05	1800		
		7112.042	24V	HEATED	24V HEATED R1800	Z4003.426.05	1800		
		7112.121 VOLVO	-	-	1200 RAD HEAD	7412.003.10	1200		
		III E11 02 * 1104 III E11 011104	III E11 03 * 6324 III E11 026324	7120.320	-	-	R1200 UN-HEATED HEAD CAP SCREWS 3004.016 INSIDE CASE	Z4002.498.10	1200
				7120.200	-	-	INTERIOR MIRROR 1200 RAD WITH STEM 5 X 10 SLOT 45 CENTRES	Z4002.498.10	1200
				7120.201	-	-	INTERIOR MIRROR 1200 RAD WITH STEM 8 X 10 SLOT 45 CENTRES	Z4002.498.10	1200
7121.320	-			-	FLAT GLASS	Z3002.068.10	FLAT		
7120.301	-			-	1200 RAD WITH HALF CLAMP	Z4002.498.10	1200		
7121.301	-			-	FLAT GLASS WITH HALF CLAMP AND DOME NUT	Z3002.068.10	FLAT		
IV E11 02*5801 IV E11 015801 V E11 02*5802 V E11 015802	IV E11 03*6401 IV E11 026401 V E11 03*6401 V E11 026401	7124.320	-	-	450 RAD UNIVERSAL CLAMP TO FIT 10 -22 ARMS	7404.002.05	450		
NO APPROVAL MARK	NO APPROVAL MARK	7124.001	-	-	450 RAD INTERIOR MIRROR 45MM SLOT CENTRES	7404.002.05	450		
		7124.000	-	-	450 RAD INTERIOR METAL STEM BENT DOWNWARD AT 90° WITH CLAMP	7404.002.05	450		
		7124.003	-	-	450 RAD INTERIOR METAL STEM BENT UPWARD AT 90° WITH CLAMP	7404.002.05	450		

Technical Information

APPROVAL NUMBER ON REAR OF MIRROR CASE continued

OLD MARKING	CURRENT MARKING	MIRROR HEAD	VOLTAGE	HEATED	DESCRIPTION	REPLACEMENT GLASS	GLASS RADIUS
II E11 015962 II E11 02 * 5962	II E11 026402 II E11 03 * 6402	7130.000	12V	-	RH SIDE ENTRY REMOTE CONTROL	7300.122.A	2000
		7130.001	12V	-	LH SIDE ENTRY REMOTE CONTROL	7300.122.A	2000
		7130.004	12V	HEATED	TOP ENTRY REMOTE CONTROL & HEATED - 12V R2000	7300.131.A	2000
		7130.005	12V	HEATED	LH SIDE ENTRY REMOTE CONTROL & HEATED	7300.131.A	2000
		7130.006	12V	HEATED	RH SIDE ENTRY REMOTE CONTROL & HEATED	7300.131.A	2000
		7130.012	12V	-	RH UN-HEATED REMOTE CONTROL - 12V R2000	7300.122.A	2000
		7130.013	12V	-	LH UN-HEATED REMOTE CONTROL - 12V R2000	7300.122.A	2000
		7130.014	12V	-	HIGH TEMP (HT MARK NEXT TO BRITAX LOGO) UN-HEATED REMOTE CONTROL - 12V R2000		2000
		7130.020	24V	HEATED	TOP AND BOTTOM ENTRY REMOTE CONTROL & HEATED	7300.177.A	2000
7130.026	24V	HEATED	TOP AND BOTTOM ENTRY REMOTE CONTROL & HEATED VOLVO WITH CABLE CLIPS 24V	7300.177.A	2000		
II E11 02*5717 II E11 015717	II E11 03*6327 II E11 026327	7131.000	-	-	TO FIT Ø22 ARMS	7418.006.05	1800
		7131.001	-	-	TO FIT Ø19 ARMS	7418.006.05	1800
		7131.004	-	-	MIRROR ASSEMBLY (NO CLAMP)	7418.008	1800
		7131.500	24V	HEATED	MIRROR ASSEMBLY 24V HEATED Ø22 CLAMP	7418.512.05	1800
		7131.600	-	-	TO FIT Ø22 ARMS	7418.006	
		7131.601	-	-	TO FIT Ø19 ARMS	7418.006	
II E11 02*5461 II E11 015461	II E11 03 * 6322 II E11 026322	7132.000	-	-	THUMBWHEEL TO FIT 22 SQUARE BAR UN-HEATED R1800	7418.006.05	1800
		7132.001	-	-	UNIVERSAL CLAMP FITS Ø16-22TUBE UN-HEATED R1800	7418.006.05	1800
		7132.201	-	-	UNIVERSAL CLAMP FITS Ø16-22 TUBE UN-HEATED R1200	7412.005.05	1200
		7132.030	-	-	UNIVERSAL CLAMP FITS Ø16-22 TUBE FLAT GLASS	7400.003.05	FLAT
		7132.500	12V	-	REMOTE 12V UN-HEATED R1800 WITH LOCATION PLUG	7418.006.05	1800
		7132.501	24V	-	REMOTE 24V UN-HEATED R1800 WITH LOCATION PLUG	7418.006.05	1800
		7132.506	12V	HEATED	HEATED 12V R1800 FLY LEAD -NO LOCATION PLUG	7418.511.05	1800
		7132.507	24V	HEATED	HEATED 24V R1800 FLY LEAD -NO LOCATION PLUG	7418.512.05	1800
		7132.508	12V	-	REMOTE ACTUATOR 12V UN-HEATED R1800 FLY LEAD -NO PLUG	7418.006.05	1800
		7132.509	24V	-	REMOTE ACTUATOR 24V UN-HEATED R1800 FLY LEAD -NO PLUG	7418.006.05	1800
		7132.510	12V	HEATED	REMOTE 12V HEATED R1800	7418.511.05	1800
		7132.511	24V	HEATED	REMOTE 24V HEATED R1800	7418.512.05	1800
		7132.520	24V	HEATED	HEATED 24V R1800 ARMoured CABLE AND DEUTSCH PLUG	7418.512.05	1800
		7132.528	12V	HEATED	HEATED 12V R1800 ARMoured CABLE AND DEUTSCH PLUG	7418.511.05	1800
		7132.801	12V	-	REMOTE ACTUATOR 12V UN-HEATED R1200	7412.005.05	1200
		7133.000	-	-	THUMBWHEEL TO FIT 22 SQUARE TUBE - UN-HEATED R1800	7418.006.05	1800
		7133.001	-	-	UNIVERSAL CLAMP FITS Ø16-22TUBE UN-HEATED R1800	7418.006.05	1800
		NO APPROVAL MARK	NO APPROVAL MARK	7018.016	-	-	RH ASSY 7132.001 HEAD + 7218.006 ARM
7018.017	-			-	LH ASSY 7132.001 HEAD + 7218.007 ARM		1800

Technical Information

OLD MARKING	CURRENT MARKING	MIRROR HEAD	VOLTAGE	HEATED	DESCRIPTION	REPLACEMENT GLASS	GLASS RADIUS		
BOTH APPROVALS ON REAR COVER	II III E11 028022 II III E11 03*8022 IV E11 028025 IV E11 03*8025	7135.011	12V	-	MOTORISED MAIN MIRROR CLASS II / III LARGE UN-HEATED R1800	7300.202.A	1800		
			-	-	MANUAL SMALL MIRROR CLASS IV UN- HEATED R300	7300.203.A	300		
		7135.012	12V	HEATED	MOTORISED + HEATED MAIN MIRROR CLASS II / III	7300.190.A	1800		
			12V	HEATED	MANUAL + HEATED SMALL MIRROR CLASS IV 12V HEATED R300	7300.191.A	300		
		7135.013 CNH LH EUROPE	12V	HEATED	MOTORISED + HEATED MAIN MIRROR CLASS II / III	7300.190.A	1800		
			12V	HEATED	MANUAL + HEATED SMALL MIRROR CLASS IV 12V HEATED R300	7300.191.A	300		
		7135.014 CNH RH EUROPE	12V	HEATED	MOTORISED + HEATED MAIN MIRROR CLASS II / III	7300.190.A	1800		
			12V	HEATED	MANUAL + HEATED SMALL MIRROR CLASS IV 12V HEATED R300	7300.191.A	300		
		7135.016	-	-	MANUAL MAIN MIRROR CLASS II / III LARGE UN-HEATED R1800	7300.202.A	1800		
			-	-	MANUAL SMALL MIRROR CLASS IV UN- HEATED R300	7300.203.A	300		
		7135.023 CNH U.S.	12V	-	MOTORISED MAIN MIRROR CLASS II / III LARGE UN-HEATED R1800	7300.202.A	1800		
			-	-	MANUAL SMALL MIRROR CLASS IV UN- HEATED R300	7300.203.A	300		
		7135.024 CNH RH EUROPE	-	-	MANUAL MAIN MIRROR CLASS II / III LARGE UN-HEATED R1800	7300.202.A	1800		
			-	-	MANUAL SMALL MIRROR CLASS IV UN- HEATED R300	7300.203.A	300		
		7135.025 CNH LH EUROPE	-	-	MANUAL MAIN MIRROR CLASS II / III LARGE UN-HEATED R1800	7300.202.A	1800		
			-	-	MANUAL SMALL MIRROR CLASS IV UN- HEATED R300	7300.203.A	300		
		II III E11 02 * 1113 II III E11 01113	II III E11 03 * 6325 II III E11 026325	7182.201	-	-	UN-HEATED R1200 WITH 7601.001 MIRROR HEAD END COLLAR	Z4002.496.10	1200
				7181.301	-	-	HALF CLAMP AND DOME NUT FLAT GLASS	Z4002.453.10	FLAT
				7182.301	-	-	HALF CLAMP AND DOME NUT R1200 GLASS	Z4002.496.10	1200
				7180.320	-	-	CAP SCREWS UN-HEATED R1800 MARKED 3004.001 INSIDE CASE	Z4002.488.10	1800
				7181.320	-	-	CAP SCREWS UN-HEATED FLAT MARKED 3004.022 INSIDE CASE	Z4002.453.10	FLAT
				7182.320	-	-	CAP SCREWS UN-HEATED R1200 MARKED 3004.000 INSIDE CASE	Z4002.496.10	1200
				7020.000 R.H.	-	-	EXTENDABLE MIRROR ASSY WITH 7182.201 HEAD		1200
				7020.001 L.H.	-	-	EXTENDABLE MIRROR ASSY WITH 7182.201 HEAD		1200
NO APPROVAL MARK	NO APPROVAL MARK			7802.000	-	-	SELF ADHESIVE BLIND SPOT PANORAMIC	-	200
				7803.000	-	-	OVER DOOR STAINLESS STEEL RECTANGULAR 103 X 210	-	300
		7803.001	-	-	BLIND SPOT CIRCULAR DIAMETER 160	-	300		
		7840.002	-	-	BLIND SPOT CIRCULAR DIAMETER 268	-	400		
II E11 011157E2 III 01*463 E2 III 00463	II E11 011157E2 III 01*463 E2 III 00463	7812.161	-	-	4003.189 MIRROR HEAD + ARM ASSY 210 X140	Z4003.412.10	1200		
		4003.189	-	-	HEAD ONLY UN-HEATED 1800 RAD NOT AVAILABLE FOR SALE, USE ABOVE 7812.161	Z4003.412.10	1200		
II E11 011157 II E11 02*1157 III E11 011158 III E11 02*1158	II E11 011157 II E11 02*1157 III E11 011158 III E11 02*1158	7812.163	-	-	4003.191 MIRROR HEAD + ARM ASSY 270 X165	Z4003.430.10	1800		
		4003.191	-	-	HEAD ONLY UN-HEATED 1800 RAD NOT AVAILABLE FOR SALE, USE ABOVE 7812.163	Z4003.430.10	1800		
		7720.004	-	-	OPTIONAL REMOTE CONTROL SWITCH FOR 7132 SERIES				

Interior Mirrors

7124.001.A INTERIOR MIRROR

Interior Mirror Assembly Rear View.
Glass spherical radius: R450mm.

7124.001.A
7124.320 Rear view mirror.
Glass spherical radius R450 to fit arms
Ø12.5 - Ø22mm

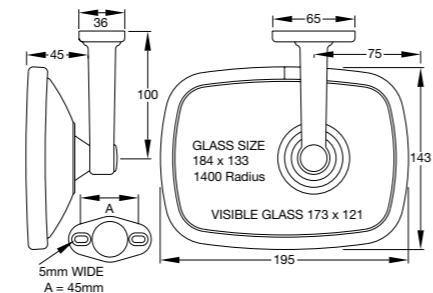
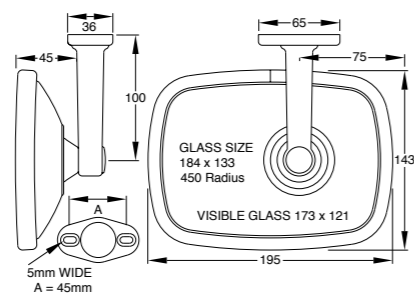
Spare Parts
7404.002.05 Spare Glass (5 Pack)
Glass is only available in the pack quantity
stated.



7120.200.A INTERIOR MIRROR

Interior Mirror. Assembly. Rear View.
Glass spherical radius 1400mm.

7120.200.A
To fit JCB
Spare Parts
Z4002.498.10 Spare Glass (10 Pack)
Glass is only available in the pack quantity
stated.

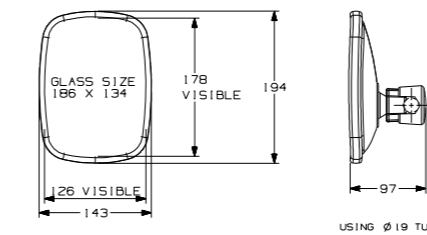


For advice and assistance with
specification, please call our
Mirror Engineering Team on
+44 (0) 1262 670161

Universal Fit Mirrors

7120.320.A 7121.320.A UNIVERSAL FIT MIRROR

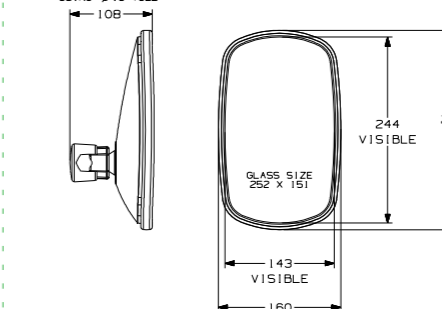
7120.320.A Rear View Mirror.
Glass spherical radius R1400mm.
To fit arms Ø10 - Ø22mm
Spare Parts
Z4002.498.10 Spare Glass (10 Pack)
7121.320.A Rear view mirror.
Flat glass.
To fit arms Ø10 - Ø22mm
Spare Parts
Z3002.068.10 Spare Glass (10 Pack)
Glass is only available in pack quantity
stated.



7120.320: No. marked inside case: 3004.018

7180.320 UNIVERSAL FIT MIRROR

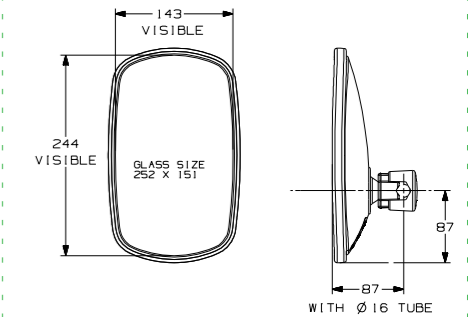
Rear view mirror.
Glass spherical radius R1800mm.
To fit arms Ø10 - Ø22mm
7180.320.A
Spare Parts
Z4002.488.10 Glass (10 Pack)
Glass is only available in the pack quantity
stated.



No. marked inside case: 3004.001

7182.320.A UNIVERSAL FIT MIRROR

Rear view mirror.
Glass spherical radius R2100mm.
To fit arms Ø10 - Ø22mm
7182.320.A
Spare Parts
Z4002.496.10 Glass (10 Pack)
Glass is only available in the pack quantity
stated.



No. marked inside case: 3004.000

Universal Fit Mirrors

7112.020.A UNIVERSAL FIT MIRROR

Rear view mirror. Glass spherical radius R450. To fit arms Ø10 - Ø22mm

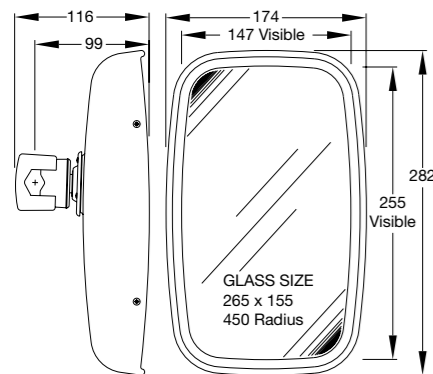
7112.020.A

Heated versions available: 7112.030.A 12 volt. 7112.040.A 24 volt.

Spare Parts

Z4003.420.05 Glass (5 Pack)

Glass is only available in the pack quantity stated.



7112.021.A UNIVERSAL FIT MIRROR

Rear view mirror. Glass spherical radius R1200mm. To fit arms Ø10 - Ø22mm

7112.021.A

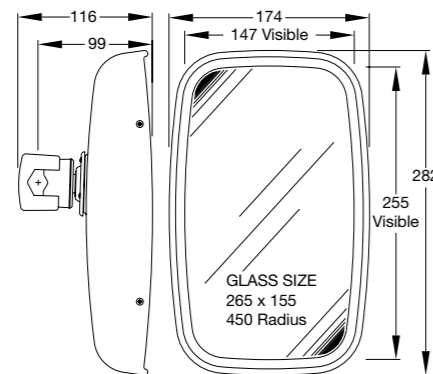
Heated versions available: 7112.031.A 12 volt. 7112.041.A 24 volt.

To fit Volvo construction machines (VCE)

Spare Parts

Z4003.421.10 Glass (10 Pack)
7412.000.05 12v glass (5 pack)
Z4003.425.05 24v glass (5 pack)

Glass is only available in the pack quantity stated.



7107.001.A UNIVERSAL FIT MIRROR

Rear view mirror. Glass spherical radius R1800mm. To fit arms Ø16mm - Ø22mm

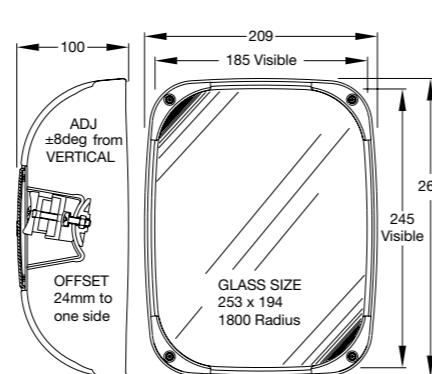
7107.001.A

Heated version available: 7107.500.A 12 volt. 7107.501.A 24 volt.

Spare Parts

7418.005.05 Glass (5 Pack)
7418.509.05 12v glass (5 pack)
7418.510.05 24v glass (5 pack)

Glass is only available in the pack quantity stated.



Universal Fit Mirrors

7106.000.A UNIVERSAL FIT MIRROR

Rear view mirror. Glass spherical radius R1800mm. To fit Ø22mm arms. Supplied with adapter sleeves to fit Ø16mm and Ø19mm arms.

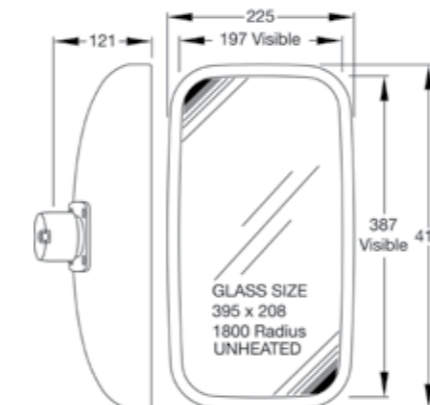
7106.000.A

Heated versions: 7106.001.A 12v
7106.002.A 24v

Spare Parts

Z4002.475.05 Glass (5 Pack)
Z4003.431.05 12v Glass (5 Pack)
Z4002.687.05 24v Glass (5 Pack)

Glass is only available in the pack quantity stated.



7812.161 ARM & HEAD ASSEMBLY

Rear view mirror arm and head. Glass spherical radius R1200

7812.161

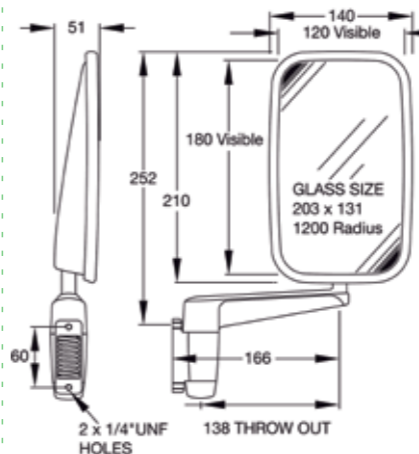
To fit Land Rover Defender

Spare Parts

Z4003.412.10 Glass (10 Pack)

Glass is only available in the pack quantity stated.

7812.163.A oversize head visible glass size 145x248mm



7020.000. RH. 7020.001. LH ARM and HEAD ASSEMBLIES

Rear view extendable mirror assembly. Glass spherical radius R1200.

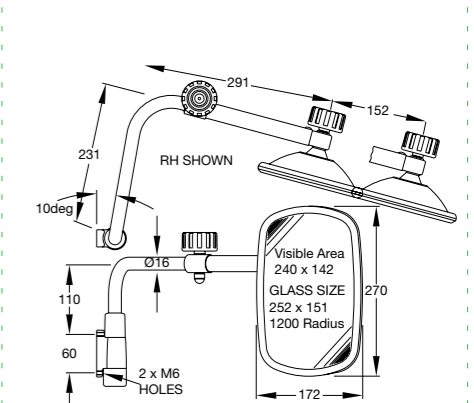
7020.000.RH. 7020.001.LH

To fit CNH Tractors.

Spare Parts

7182.201 Head Only.
24002.496.10 Glass (10 Pack).
7604.001 Thumbwheel Adjuster.

Glass is only available in the pack quantity stated.



Other heated/remote control options may be available, subject to minimum order quantities.
Please contact Britax for details.

Mirror Heads

7182.201.A HEADS

Rear view mirror with Thumbwheel Adjuster.

Glass spherical radius R1200.

For use on 7020.000 R.H and 7020.001.L.H assemblies.

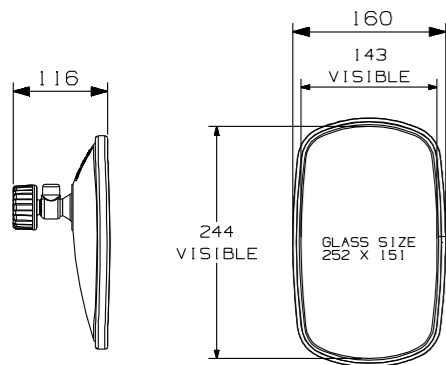
7182.201.A

To fit CNH Tractors.

Spare Parts

Z4002.496.10 Glass (Pack Of 10).
7604.001 Thumbwheel Adjuster

Glass is only available in the pack quantity stated.



7131.000.A 7131.001.A HEADS

Rear view mirror. Glass spherical radius R1800. To fit Ø22mm - 7131.000.A. To fit Ø19mm - 7131.001.A.

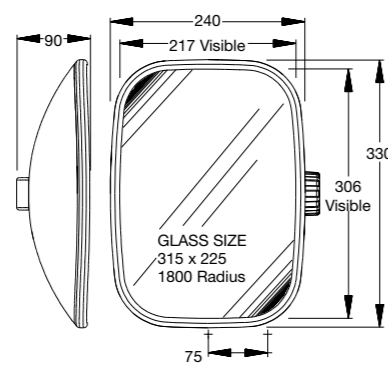
7131.000.A 7131.001.A

To fit AGCO Group tractors.

Spare Parts

7418.006.05 Glass (Pack Of 5)

Glass is only available in the pack quantity stated.



7130.004.A HEADS

Rear view mirror. Remote control & heated glass. Top mounted.

Glass spherical radius R1800.

To fit arms Ø16mm - Ø22mm.

7130.004.A

7130.020 24v top entry mount.

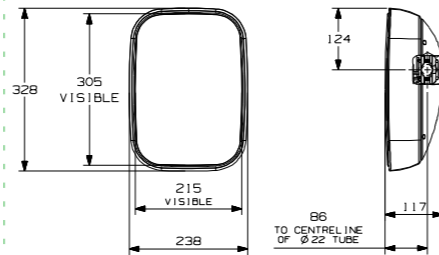
To fit CNH tractors.

Glass/carrier in single pack.

Spare Parts

7300.131.A Glass/Carrier Assembly With 12V Heater Element.

7300.177.A Glass/Carrier Assembly With 24V Heater Element.



Mirror Heads

7130.002.A HEADS

Rear view mirror. Remote control only. Top mounted. Un-heated

Glass spherical radius R1800.

To fit arms Ø16mm - Ø22mm.

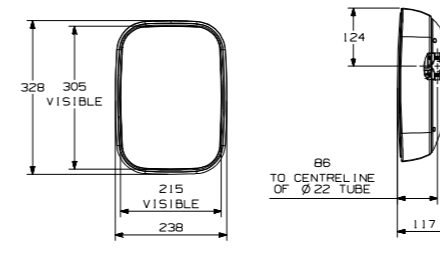
7130.002.A

To fit CNH tractors.

Glass/carrier is single pack.

Spare Parts

7300.122.A Glass/Carrier Assembly



7130.000.A RH 7130.001.A LH HEADS

Rear view mirror. Remote control. Un-heated

7130.000.A side mounted RH.

7130.001.A side mounted LH.

Glass spherical radius R1800.

To fit arms Ø16mm - Ø22mm.

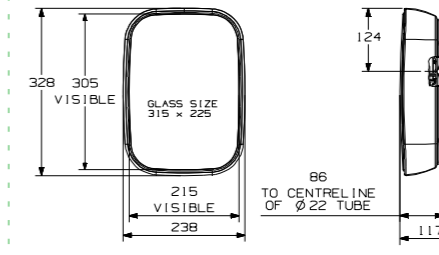
7130.000.A Right Hand. 7130.001.A Left Hand.

To fit CNH tractors.

Glass/carrier is single pack.

Spare Parts

7300.122.A Glass/Carrier Assembly.



7132.001.A HEADS

REAR VIEW MIRROR.

Glass spherical radius R1800. To fit Ø16mm - Ø22mm.

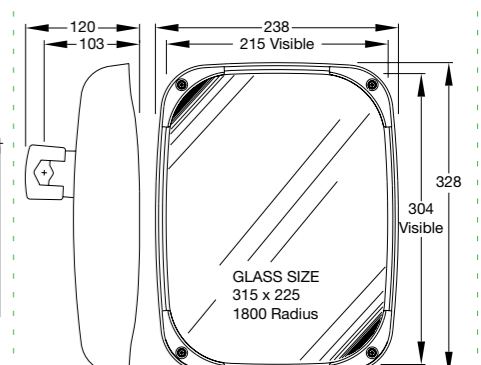
7132.001.A

To fit AGCO Group tractors.

Spare Parts

7418.006.05 Glass (Pack Of 5).
7900.005 Corner Gasket Fixing Kit. (4x corners, 4x screws, 1x bezel)

Glass is only available in the pack quantity stated.



Mirror Heads

7133.000.A HEADS

REAR VIEW MIRROR.
Glass spherical radius R1800. To fit 22mm tube Thumbwheel fixing.

7133.000.A
To fit CNH tractors.

Spare Parts
7418.006.05 Glass (Pack Of 5).
7300.035 Thumbwheel.
7900.005 Corner Gasket Fixing Kit. (4x corners, 4x screws, 1x bezel)
Glass is only available in the pack quantity stated.



7133.001.A HEADS

REAR VIEW MIRROR.
Glass spherical radius R1800. To fit Ø22mm

7133.001.A
To fit CNH tractors.

Spare Parts
7418.006.05 Glass (Pack Of 5).
7900.005 Corner Gusset Fixing Kit. (4x corners, 4x screws, 1x bezel)
Glass is only available in the pack quantity stated.

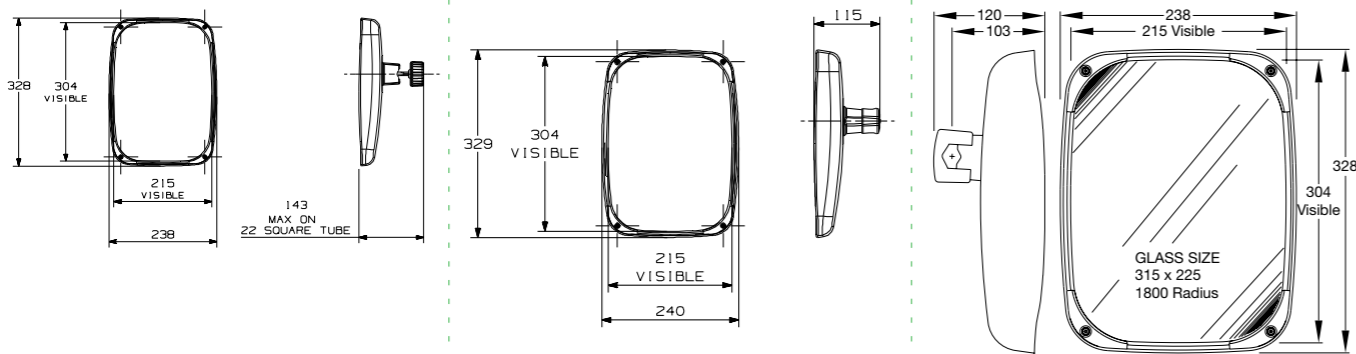


7132.500.A. 7132.501.A HEADS

REAR VIEW MIRROR.
7132.500.A 12 volt Remote Control.
7132.501.A 24 volt Remote Control.

To fit Ø16mm - Ø22mm arms.
7132.500.A. 7132.501.A
To fit CNH Tractors.

Spare Parts
7418.006.05 Glass 12v (Pack Of 5).
7900.005 Corner Gusset Fixing Kit.
7720.004 Optional Remote Control Switch.
Glass is only available in the pack quantity stated.



Panoramic Mirrors

7802.000 PANORAMIC MIRROR

Blind spot mirror.
Spherical radius R200.
Self adhesive.

7802.000



7803.001 PANORAMIC MIRROR

Blind spot circular mirror.
Spherical radius R300.
Black housing.

7803.001

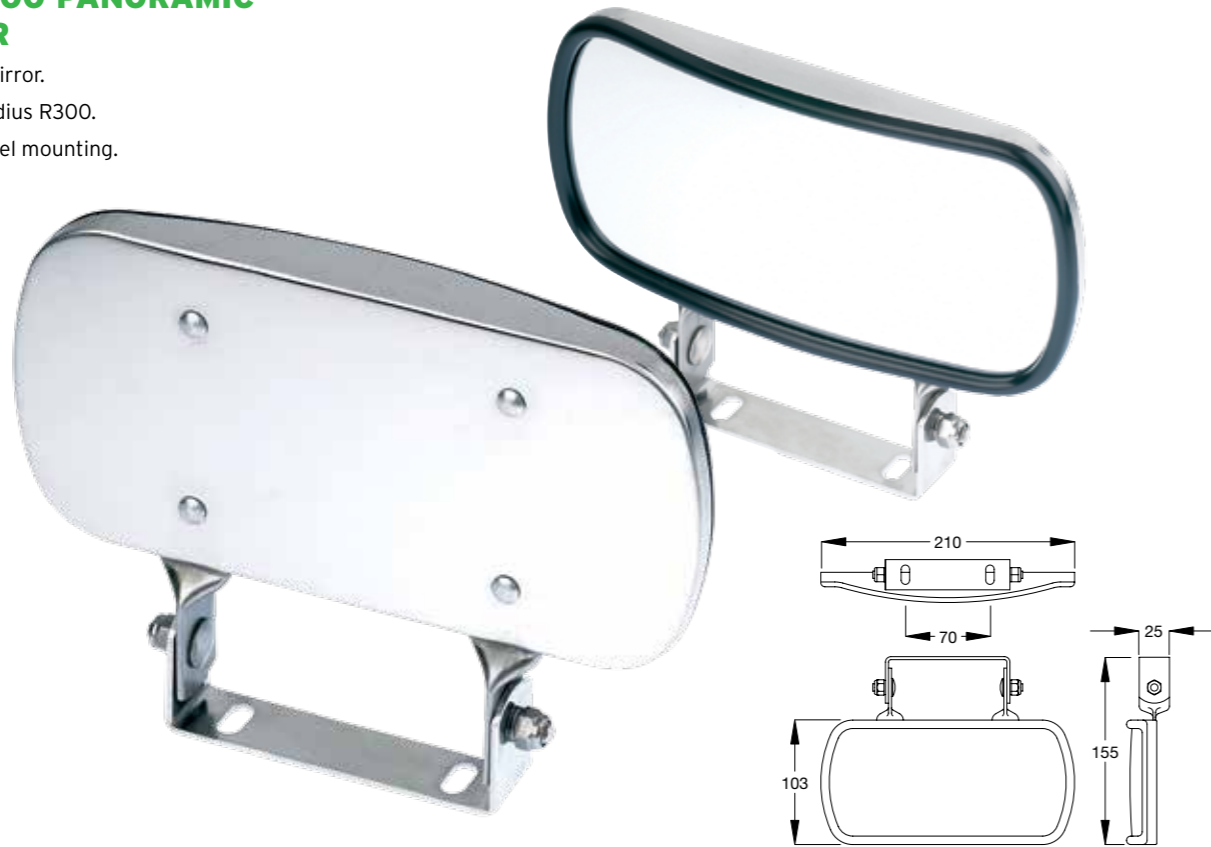


Panoramic Mirrors

7803.000 PANORAMIC MIRROR

Over door mirror.
Spherical radius R300.
Stainless steel mounting.

7803.000



7840.002 PANORAMIC MIRROR

Blind spot circular mirror.
Spherical radius R400.
Black housing.

7840.002



Mirror Arms

Z4007.067 ARMS

Black 'Minibrac' arm assembly
ø13mm tube.
Spring loaded adjustment.
2 X M6 mounting holes.

Z4007.067

Adjustment can be done only when the arm is securely mounted.



Z4007-313 ARMS

Black. 'Midibrac' arm assembly
ø16mm tube.
Spring loaded adjustment.
2 X M6 mounting holes.

Z4007.313

Adjustment can be done only when the arm is securely mounted.



Z4007.456 ARMS

Black. 'Midibrac' arm assembly
ø16mm tube. Spring loaded adjustment.
2 X M6 mounting holes.

Z4007.456

7200.020 2 X M8 mounting holes.

Adjustment can be done only when the arm is securely mounted.



Mirror Arms

Z4007.522 R.H Z4007.523 L.H ARMS

Black. 'Midibrac' arm assembly
Ø16mm tube.

Z4007.522 Right hand.

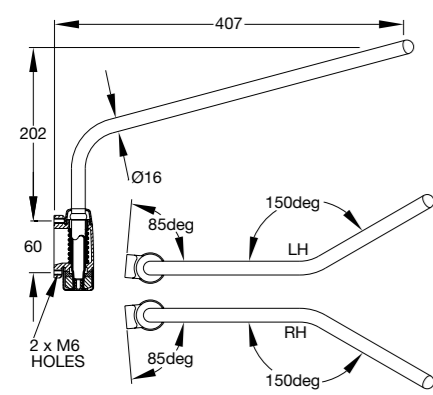
Z4007.523 Left hand.

Spring loaded adjustment.

2 X M6 mounting holes.

Z4007.522 R.H. Z4007.523 L.H.

Adjustment can only be done when the arm is securely mounted.



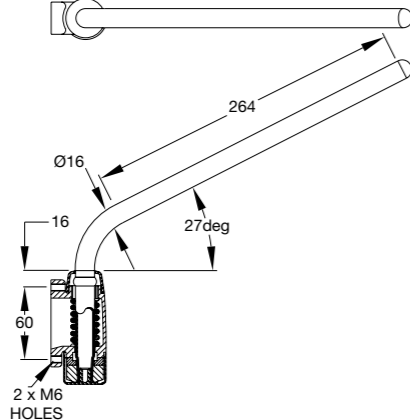
Z4007.526 ARMS

Black. 'Midibrac' arm assembly
Ø16mm tube. Spring loaded adjustment.

2 X M6 mounting holes.

Z4007.526

Adjustment can only be done when the arm is securely mounted.



7200.007.A ARMS

Black. 'Midibrac' arm assembly

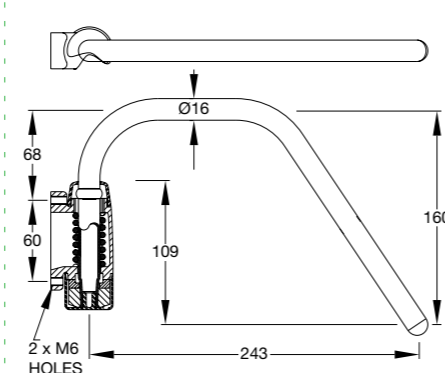
Ø16mm tube.

Spring Loaded Adjustment.

2 x M6 Mounting Holes.

7200.007.A

Adjustment can only be done when the arm is securely mounted.



Mirror Arms

7200.050.A ARMS

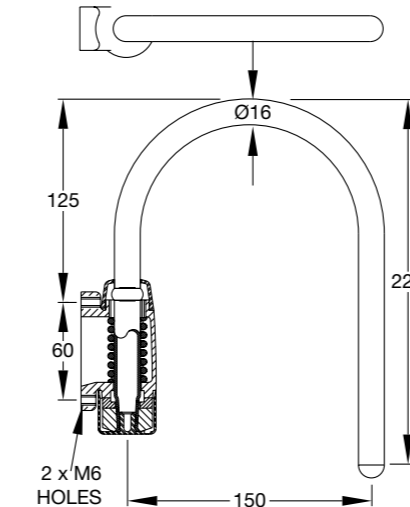
Black. 'Midibrac' arm assembly

Ø16mm tube. Spring loaded adjustment.

2 X M6 mounting holes.

7200.050.A

Adjustment can only be done when the arm is securely mounted.



7200.025.A ARMS

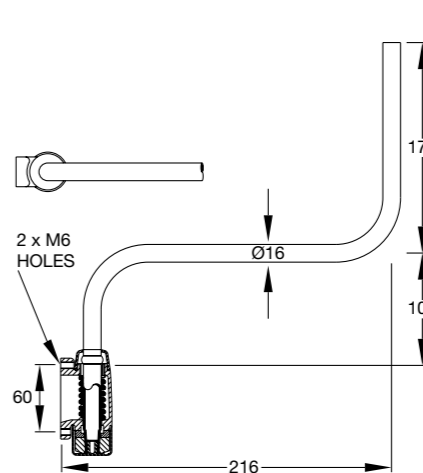
Black. 'Midibrac' arm assembly

Ø16mm tube. Spring loaded adjustment.

2 X M6 mounting holes.

7200.025.A

Adjustment can be done only when the arm is securely mounted.



7200.099.A ARMS

Black. 'Midibrac' arm assembly

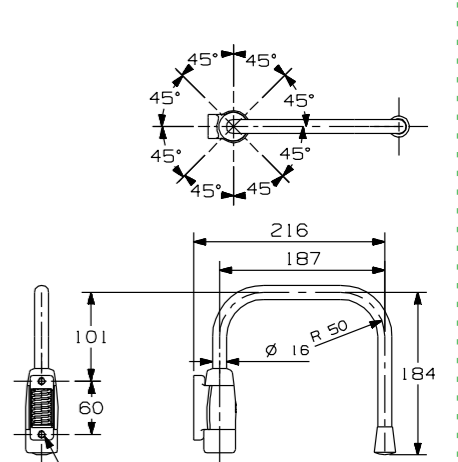
Ø16mm tube. Spring loaded adjustment.

2 X M8 mounting holes.

7200.099.A

Adjustment can be done only when the arm is securely mounted.

To fit Volvo Construction Machine (VCE)



Mirror Arms

7270.550.A ARMS

Medium duty extendable mirror arm.
 ø19mm tube.
 Designed for installations above 2 Mts.
 Pre-wired with plug and cable for use with 7132.516.A. Remote Control Heads.
7270.550.A
 To fit Valtra Tractors.



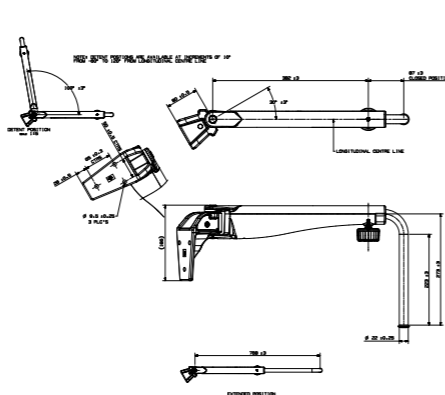
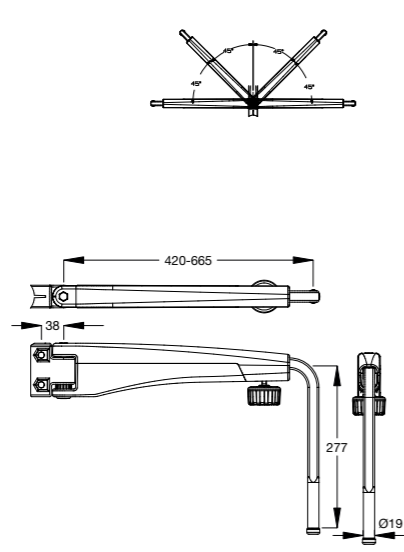
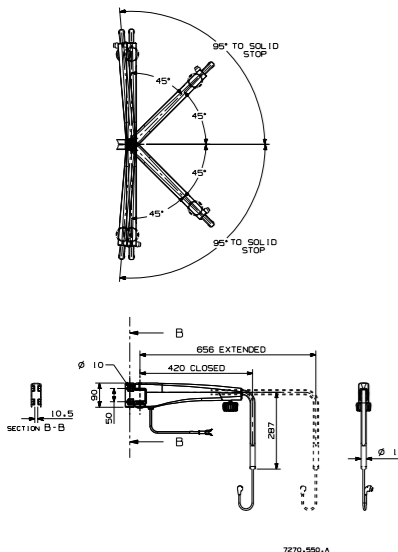
7270.050.A ARMS

Medium duty extendable mirror arm.
 ø19mm tube.
 Designed for installations above 2 Mts.
 For use with 7130 Series heads.
7270.050.B 8 pack
7270.050.F 52 pack
 To fit Valtra Tractors.



7260.002.A RH 7260.003.A LH ARMS

Heavy duty extendable mirror arms.
 ø22mm tube.
 Designed for installations above 2Mts.
 For use with 7132 & 7130 series heads.
7260.002.A RH. 7260.003.A LH
 Detent positions at increments of 10° from centre line.



Index

FEATURE PRODUCTS

7135 SERIES.....	6
7135.050.....	6
7135.053.....	6
7137.000.....	7
7137.001.....	7
7137.100.....	7
7137.101.....	8
7137.200.....	8
7137.201.....	33
7265.001.....	33
7265.002.....	33
7265.501.....	33
7265.502.....	33

INTERIOR MIRRORS

7124.001.A.....	8
7120.200.A.....	9

UNIVERSAL FIT MIRRORS

7120.320.A.....	9
7180.320.....	9
7180.320.....	10
605.000.....	10
639.000.....	11
7182.320.A.....	34
7112.020.A.....	34
7112.021.A.....	34
7107.001.A.....	35
7106.000.A.....	35

MIRROR HEADS

7812.161.....	11
7020.000.RH.....	11
7020.001.LH.....	12
7182.201.A.....	12
7131.000.A.....	12
7131.001.A.....	13
7130.004.A.....	14
7130.002.A.....	15
7130.000.A RH.....	15
7130.001.A LH.....	15
7132.001.A.....	15
7133.000.A.....	35
7133.001.A.....	35
7132.500.A.....	36
7132.501.A.....	15

PANORAMIC MIRRORS

7802.000.....	15
7803.001.....	16
7803.000.....	16
7840.002.....	16

MIRROR ARMS

Z4007.067.....	17
Z4007-313.....	17
Z4007.456.....	17
Z4007.522 R.H.....	18
Z4007.523 L.H.....	36
Z4007.526.....	6
7200.007.A.....	6
7200.050.A.....	7
7200.025.A.....	7
7200.099.A.....	7
7270.550.A.....	8
7270.050.A.....	8
7260.002.A RH.....	8
7260.003.A LH.....	8

